

FOR ALL R.C.C. WORKS,
 GRADE OF CONCRETE:- M25
 GRADE OF STEEL:- Fe415

GENERAL NOTES:

1. ALL DIMENSIONS ARE IN MILLIMETERS U.N.O. (BAR DIA. IN mm ONLY.)
2. P.C.C. MIN. 150mm THK. OF M15 GRADE(1:2:4)
3. FOR COLUMN LINKS REFER STANDARD DWG.
4. LAP LENGTH AND END ANCHORAGES MUST BE 50 TIMES DIAMETER OF BAR.
5. 'T' INDICATES HIGH STRENGTHS DEFORMED STEEL REINFORCEMENT BARS CONFIRMING TO IS:1786.
6. ALL CONCRETE STRUCTURES MUST BE KEPT MOIST FOR CURING FOR AT LEAST 14 DAYS FROM DATE OF CASTING.
7. DONOT SCALE THE DRAWING AND WORK THIS DRAWING WITH RELEVANT ARCHITECTURAL & OTHER CONSULTANTS DRAWINGS.
8. CONTRACTOR MUST COMPLY TO ALL RELEVANT I.S. CODES MENTIONED IN STANDARD DRAWING FOR EXECUTION OF WORK AND TESTING OF MATERIALS USED IN CONSTRUCTION.

CLEAR COVER TO REINF. (U.N.O.)

1. FOOTINGS/RAFT:	BOTTOM & TOP = 50MM. SIDE = 50mm.
2. COLUMNS:	BELOW GR. = 65mm(min). ABOVE GR. = 40mm
3. PLINTH BEAMS:	BOTTOM & TOP = 30mm. SIDE = 30mm.
4. FLOOR BEAMS:	BOTTOM = 25mm, SIDE = 25mm. TOP = 25mm.
5. FLOOR SLABS:	BOTTOM & TOP = 20mm
6. R.C.C. WALLS:	SIDE = 50mm.
7. WATER TANK:	SIDE = 50mm.
8. STAIRCASE SLAB:	SIDE = 50mm.

LEGENDS

U.N.O.....UNLESS NOTED OTHERWISE
 F.F.L.....FINISHED FLOOR LEVEL
 F.G.L.....FINISHED GROUND LEVEL
 E.G.L.....EXISTING GROUND LEVEL
 TYP.....TYPICAL
 T.O.C.....TOP OF CONCRETE
 B.O.B.....BOTTOM OF BEAM
 B/W.....BOTH WAYS
 C.....CENTRE LINE
 C/C.....CENTRE TO CENTER SPACING

REV. NO.	REV. DATE	DSGN. BY	DRN. BY	CHKD. BY	APPR. BY
RO	24/01/2018	GSM	PRP	GSM	GSM

ARCHITECT

STRUCTURAL CONSULTANT

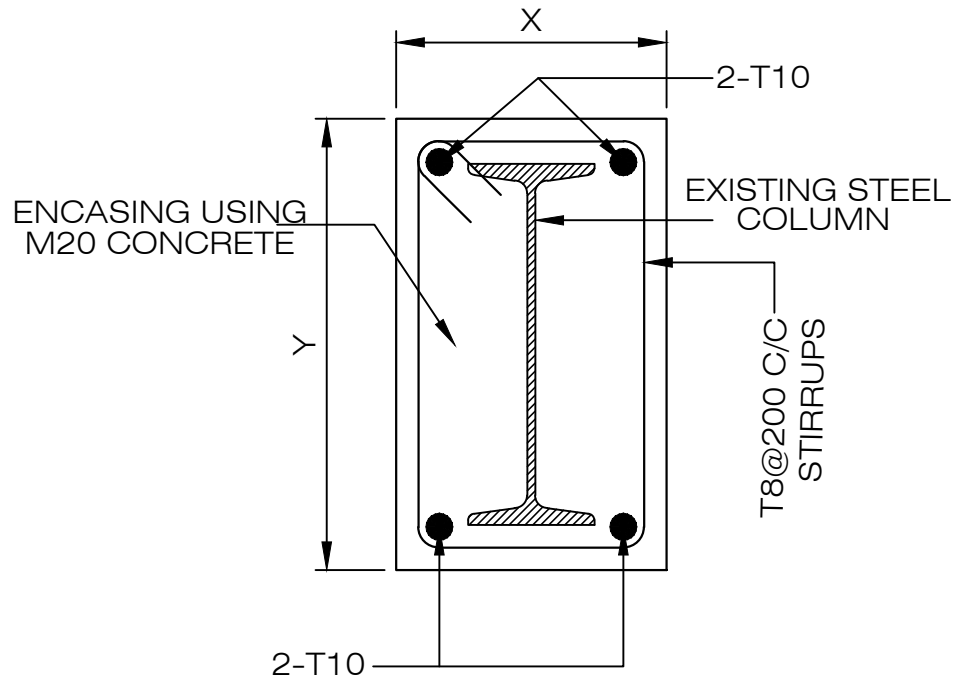
ENTECH
 ENGINEERS
 CONSULTING CIVIL AND STRUCTURAL ENGINEERS
 RP-26, NEAR GANESH VISARJAN TALAO,
 MILAPNAGAR, M.I.D.C. DOMBIVLI (EAST)- 421 203
 TEL.0251-2438181

TITLE:
 COLUMN STRENGTHENING SKETCH

NAME OF PROJECT:
 M.C BANK REPAIR WORK

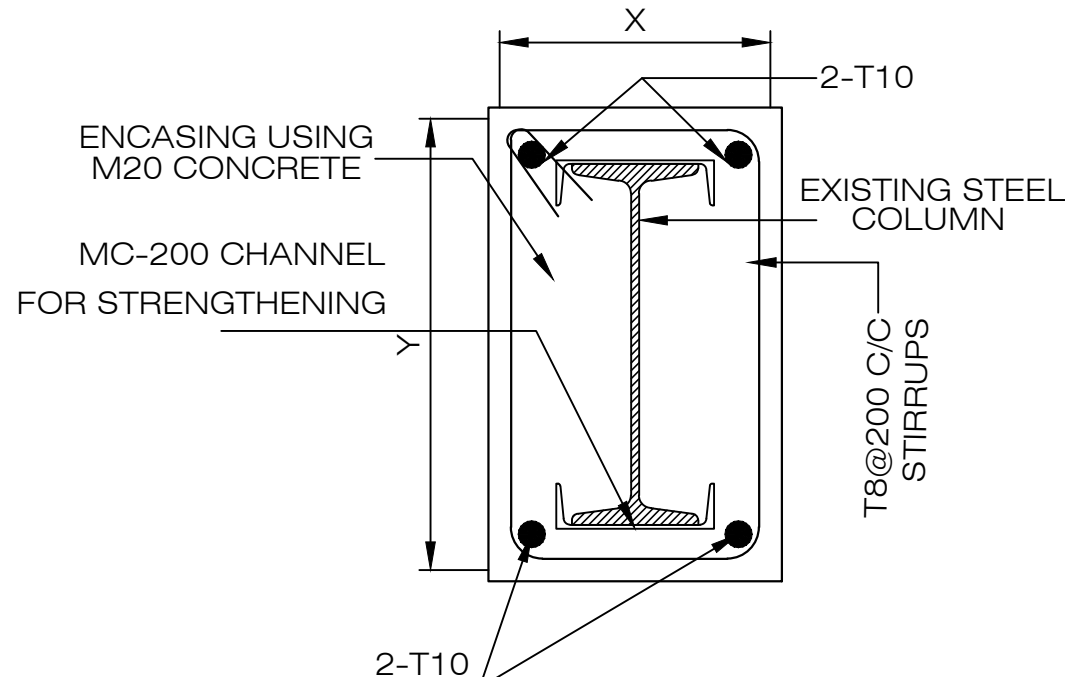
CLIENT:
 M.C. BANK

JOB NO.
 —



SKETCH-1

(IF EXISTING STEEL COLUMN IS IN GOOD CONDITION)



SKETCH-2

(IF EXISTING STEEL COLUMN IS DAMAGED)

NOTE : COLUMN SIZE WILL BE DETERMINED EXACTLY AFTER BREAKING OF WALL